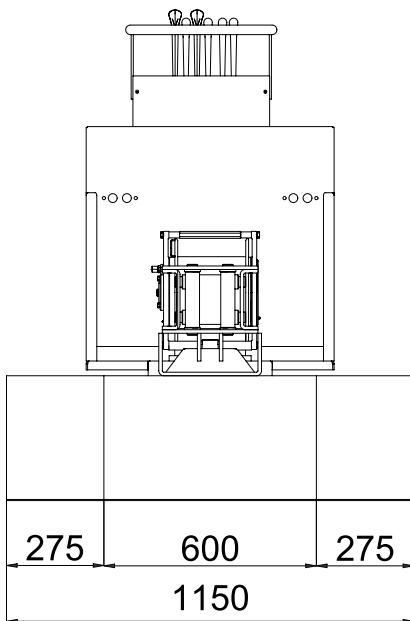




HYDRAULIC WINCH HS SERIE

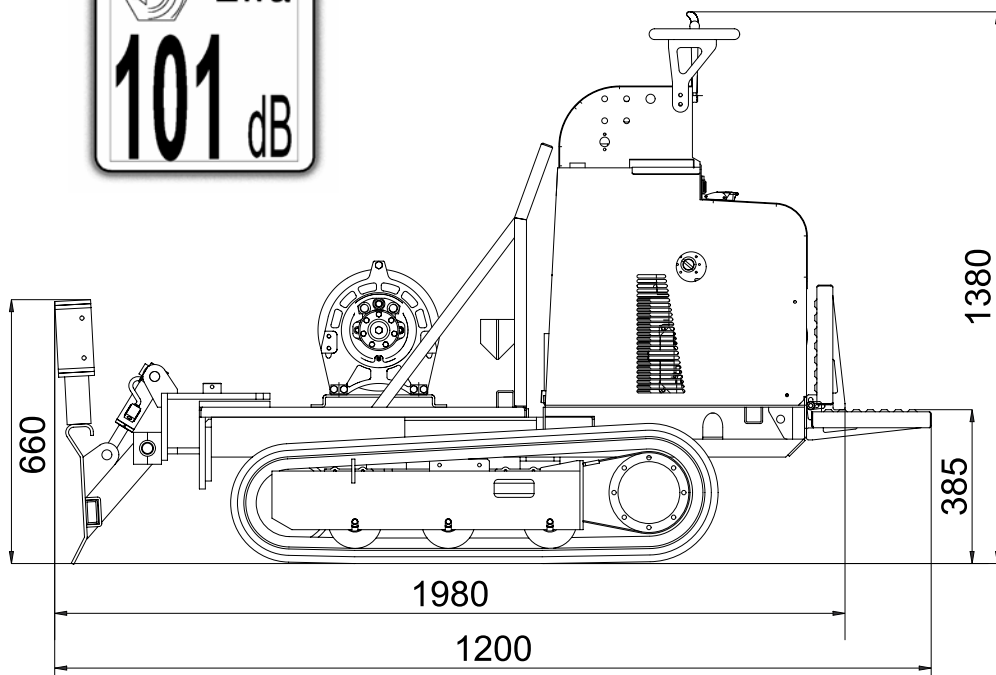


Hydraulic winch kit with quick release on Hinowa minidumpers HS serie

Applicable on the following models:

- HS 850
- HS 1100
- HS 1150
- HS 1200
- HS 1200E

Kit weight 200 kg
 Rope's diameter 8 mm
 Pull at 1° layer daN 750
 Pull at 4° layer daN 950
 Rope quantity at 4° layer 55 m



DSC07920607